

Miele

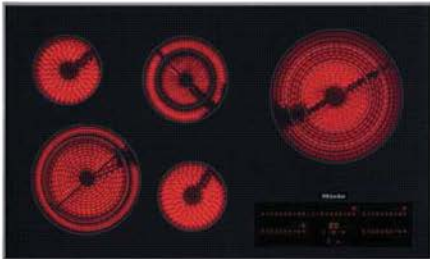
36" 5-Burner Electric Cooktop

KM 5860



This document is in no way a substitute for the Operating Instructions and Installation Specifications supplied with the appliance. Please refer to the Operating Instructions and Specifications supplied with your appliance (or online at miele.ca) prior to installing or using for the first time.

36" 5-Burner Electric Cooktop KM 5860



KM 5860

Features:

- New 3D glass design
- Direct Selection Plus touch controls
- High-impact black Ceran® glass surface with stainless steel frame
- Residual heat indicators for all zones
- Single and variable zones with over 25% increased power
- Auto-heat reduces heat-up time

SPECIFICATIONS

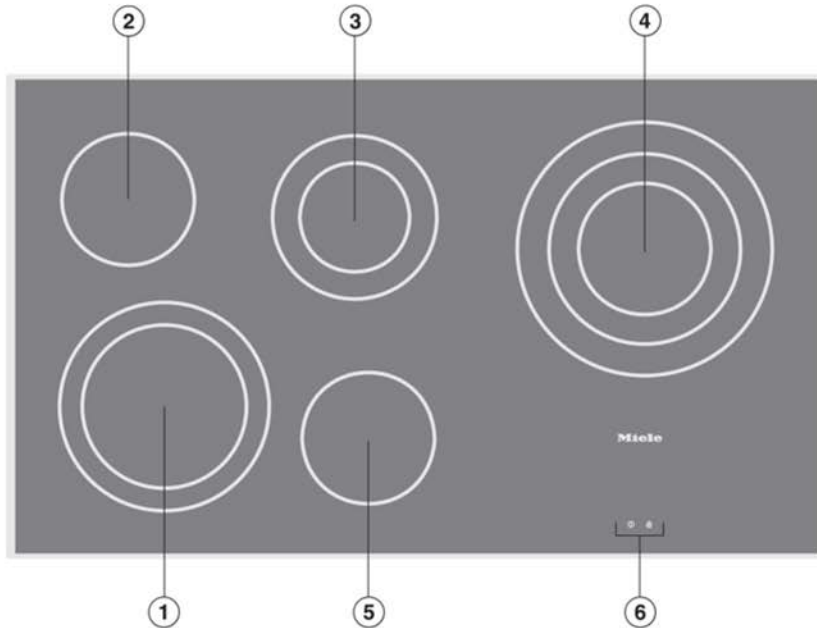
KM 5860 Electric Cooktop (240V)

KM 5860 Electric Cooktop (208V)

Product Dimensions	36" (915 mm) W x 2 11/16" (68 mm) H x 21 7/16" (544 mm) D
Cut-out Dimensions	34 1/2" (876 mm) W x 20 3/8" (518 mm) D
Minimum Back Spacing From Wall	2" (50 mm)
Minimum Countertop Thickness	1 3/16" (30 mm)
Electrical	
Electrical Requirements	208/240V, 60Hz, 50A
Power Cable	4' 8 11/16" (1.44 m)
Shipping	
Shipping Weight	48.5 lbs (22 kg)
Shipping Dimensions	26" W x 6 5/16" H x 40 3/4" D
Support	
Call Miele	800.565.6435
Miele Website	www.miele.ca

36" 5-Burner Electric Cooktop KM 5860

Top View

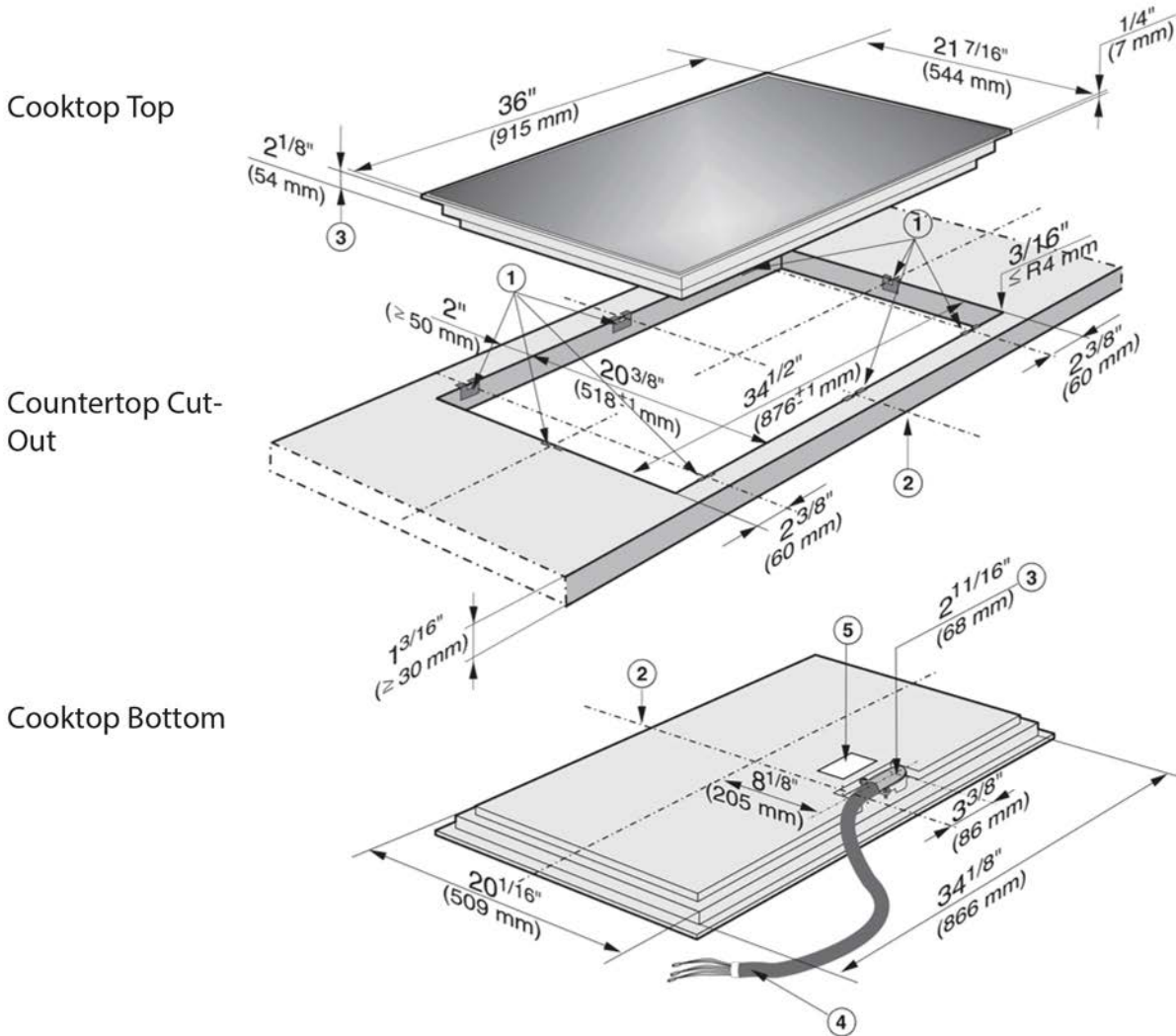


- ①③ Two-zone variable burners
- ②⑤ One-zone burners
- ④ Three-zone variable burner
- ⑥ Control panel

Burner	∅ Diameter		Output in watts at 208 / 240 V
	inches	cm	
Left front ①	7 1/16"	18	1600
	9 1/16"	23	2500
Left rear ②	5 11/16"	14.5	1200
Center rear ③	4 3/4"	12	700
	7 1/16"	18	1800
Right rear ④	5 11/16"	14.5	1100
	8 1/4"	21	2150
	10 5/8"	27	3100
Center front ⑤	5 11/16"	14.5	1200
			Total: 9800

36" 5-Burner Electric Cooktop KM 5860

INSTALLATION DIMENSIONS



- ① Spring clips
- ② Front
- ③ Installation height
- ④ Connecting cable, Length = 56 11/16" (1440 mm)
- ⑤ Rating label